

V21 Trade Stack Vendor

FEATURES & SPECIFICATIONS

V21 Model Number	521	621	721	821
Total Can Capacity	196	544	680	800
Total PET Bottle Capacity	91	240	300	360
# of Selections / Columns	6 / 7	8 / 8	10 / 10	10 / 10
Dimensions* - H x W x D				
Curved Front	N/A	N/A	72" x 39.5" x 35"	79" x 39.5" x 35"
Flat Front	N/A	72" x 32.5" x 31"	72" x 39.5" x 31"	N/A
Chameleon	61" x 29" x 24"	N/A	N/A	N/A
Live Display - Curved Front	N/A	N/A	72" x 39.5" x 35"	N/A
Live Display - Flat Front	N/A	72" x 32.5" x 31"	72" x 39.5" x 31"	N/A
Live Display - Chameleon	N/A	N/A	72" x 39.5" x 35"	79" x 39.5" x 35"
Shipping Weight*	365 lbs.	570 lbs.	660 lbs.	725 lbs.
Operation Voltage	115V 60Hz	115v 60Hz	115v 60Hz	115v 60Hz
Amp Rating	4	8	8	8
Energy Consumption (DOE)	≤ 3.2 kWh/day	≤ 3.8 kWh/day	≤ 3.9 kWh/day	≤ 4.3 kWh/day
Lighting	Fluorescent or LED (optional)	Fluorescent or LED (optional)	Fluorescent or LED (optional)	Fluorescent or LED (optional)
Refrigerant	R-134a or CO2 (optional)	R-134a or CO2 (optional)	R-134a or CO2 (optional)	R-134a or CO2 (optional)
Lock Type	T-Handle or E-Lock (optional)	T-Handle or E-Lock (optional)	T-Handle or E-Lock (optional)	T-Handle or E-Lock (optional)
Capacity per Column				
12oz. Can	28	68	68	80
20oz. PET Bottle**	13	30	30	36

* Dimensions and shipping weight will vary slightly. ** Product capacities will vary based on the shape and size of the bottle.

721 Water Splash Live Display (Curved)

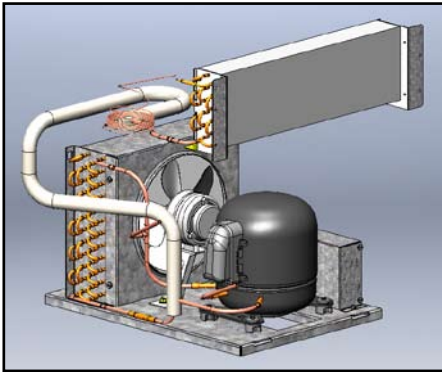


- ADA compliant, UL certified, ENERGY STAR qualified and meets or exceeds DOE 2012 requirements.
- The V21 stack allows for maximum flexibility during product loading. Most products can be loaded caps to back, butt-to-butt, or in combination.
- The V21 has a full function MDB controller with DEX/UCS, recycler and wireless telemetry compatibility. The V21 and Vendo glass front beverage vendors' control boards are completely interchangeable.
- Energy management features included on every model make the V21 one of the most energy efficient machines available: real time clock, lighting and refrigeration controls, cyclopentane injected foam insulation (HFC free) and now the option of **CO2 Powered Refrigeration Systems and LED lighting**.
- The V21 utilizes 24 volt, DC motors that are installed with only two screws for easy servicing. There are no micro-switches or timing cams.
- The time tested V21 product delivery system design ensures reliable vending due to reduced sensitivity to package diameter and shape.

SandenVendo America, Inc. offers a complete line of parts, accessories, supplies and add-on security devices - call for more information.

V21 Trade Stack Vendor

FEATURES & BENEFITS



CO2 Powered Refrigeration System *(optional feature)*

Liquid carbon dioxide (R-744), the environmentally-friendly refrigerant of the future, operates more efficiently than the industry standard R-134a refrigerant and is non-ozone depleting, non-toxic, and non-flammable.

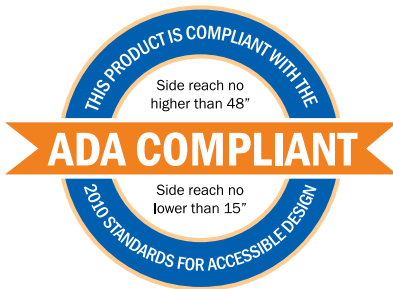
R-744 (CO2) vs. R-134a Over 100 Years

Refrigerant	R-744	R-134a
Ozone Destructive Potential	0	0
Global Warming Potential	1	1,300
Permission Concentration	5,000 ppm	1,000 ppm
Operating Pressure	10MPa	2MPa



ENERGY STAR & Department of Energy (DOE)

All models in the V21 Equipment Line are ENERGY STAR qualified and meet or exceed the Department of Energy 2012 Efficiency Standards. Refrigerated beverage vending machines that have earned the ENERGY STAR are up to 50% more energy-efficient than standard machine models. ENERGY STAR qualified machines come with a low power mode option that allows the machine to be placed in low-energy lighting and/or low-energy refrigeration states during periods of inactivity.



The V21 Stack

The V21 offers fast set-up - converting columns from bottles to cans has never been easier!

- No shims, spacers, gauge bars, gauge bar clips, or cams to adjust.
- Vend-mechanisms are self-priming for additional time-savings at product set-up.
- Simply move the back spacer, adjust the product slide and select the appropriate depth setting to set-up a column for a different vend product.
- Slide out loading rack allows for greater access to the columns during product loading.
- Rugged top retainer ensures consistent product alignment every time the door is closed.
- The V21's epoxy coated vend chute provides smooth product delivery.

Available Graphics:

