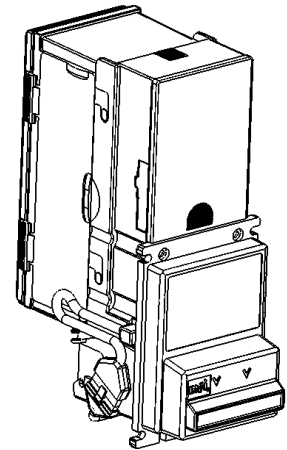




VN2700 Series Installation Guide



GENERAL INFORMATION

This Bill Validator is designed to fit into the standard bill acceptor opening provided by Vending machine manufacturers. It mounts on either the existing four mounting studs located in the machine or on the mounting bracket provided in various mounting kits.

Features of the VN2700 include:

- \$1, \$2, \$5, \$10, and \$20 bill acceptance
- Able to accept Vend and Value Coupons
- Four Direction bill acceptance
- Re-programmable Flash Memory (Flashport™)
- Coupon configuration
- Enhanced Security
- Easy access to the bill path even when mounted
- Diagnostic LED (see back of unit)
- Multi-Drop Bus (MDB), Vending Interface (24V)
- Remote Download of new Bills
- Cassette Removal indication
- Lighted Bezel Arrows (standard)
- Supports High Visibility Bezel (HVB)
- VNR Recycler capable (Return bills for change)

INTERFACE OPTIONS

The VN2700 Bill Validator operates via a MDB interface: The following harness is supplied to support this interface:

250071043 - 24 VAC Multi-Drop Bus Interface (MDB)

For further information on either interface harnesses or mounting kits, please contact your supplier or MEI authorized Service Center.

©2009 MEI
www.meigroup.com

Part # 250050370
Revision G2

MEI

Technical Support 1(800) 345-8172
Customer Support 1(800) 345-8215
<http://www.meigroup.com>

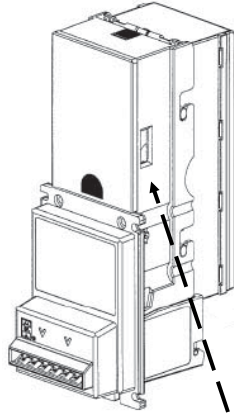


INSTALLATION INSTRUCTIONS

1. Set Bill Validator option switches. See Figure 2.

Note: When you receive the product, all switches are off. This will automatically enable the options as follows:

- Accept \$1 dollar bills.
- Four way accept.
- High Security.
- Bezel Lights flashing (standard bezel).
- For HVB (High Visibility Bezel), Denomination lights on and arrow/bezel lights will blend all colors.



Important Note: Placing any switch ON will override the above options, and the Bill Validator will operate according to the switch settings label! (See Figure 2)

NOTE: The unit may be configured with the attached coupon rather than using the option switches. For coupon configuration, turn all option switches OFF and proceed to Coupon Configuration instructions on page 4.

SWITCH DESCRIPTION	
1,2	Combination of these two switches selects number of enabled bill directions.
3	Position allows either acceptance or security to be maximized.
4, 5, 6, 7, 8	Individual switches enable or disable corresponding bill denomination.

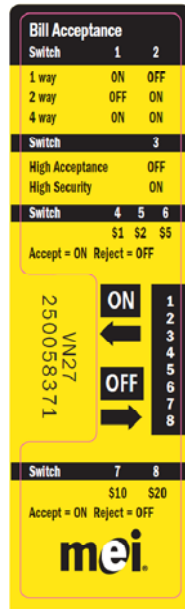


Figure 2

2. Remove power from the entire machine.

3. Install the VN2700 onto the Bill Validator mounting studs and through the mounting hole of the machine. Secure using the appropriate hardware.

Electronic copies of this manual will not have the coupon included. Please contact MEI if you need a configuration coupon.

PINOUT INFORMATION FOR 30 PIN CONNECTOR

1	2	3	4	5	6	7	8	9	10	11	12	13	14	15
16	17	18	19	20	21	22	23	24	25	26	27	28	29	30

VN2700	
Pinout	24 Volt AC /MDB Model
Pin 1	NOT USED
Pin 2	NOT USED
Pin 3	24 VAC HOT POWER
Pin 4	12 VOLT OUTPUT
Pin 5	KEY
Pin 6	MDB MASTER RECEIVE
Pin 7	RECYCLER SLAVE RXD
Pin 8	SERIAL LINK RXD
Pin 9	RECYCLER HARDWARE ID
Pin 10	RECYCLER GROUND
Pin 11	NOT USED
Pin 12	RECYCLER MASTER TXD
Pin 13	RECYCLER SLAVE TXD
Pin 14	MDB MASTER TXD
Pin 15	SERIAL LINK TXD
Pin 16	DC RETURN
Pin 17	MDB SLAVE COMMON
Pin 18	MDB SLAVE RXD
Pin 19	MDB SLAVE TXD
Pin 20	24 VAC NEUTRAL POWER
Pin 21	KEY
Pin 22	NOT USED
Pin 23	MDB_34 VOLT DC
Pin 24	NOT USED
Pin 25	SERVICE POWER
Pin 26	NOT USED
Pin 27	RECYCLER MASTER RXD
Pin 28	MDB COMMON
Pin 29	NOT USED
Pin 30	NOT USED

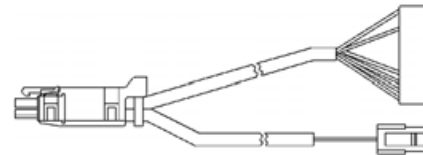
***Recycler Model Only**

INSTALLATION INSTRUCTIONS (CONTINUED)

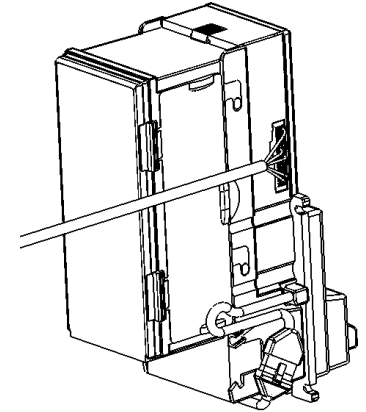
4. Connect the VN2700 to the supplied interface harness.

Install the (30) pin connector into the interface slot, matching connector keys to blank pin locations. **See Figure 3.**

Do not force the harness into bill acceptor!! This will cause pins to bend or break!



MDB Harness 250071043



VN2700

Figure 3

6. Apply power to the machine.

Observe that the LED status indicator on the back of the VN2700 is ON and NOT flashing. This condition indicates that the unit is ready to accept bills.

- If the light is OFF, check to ensure that power has been applied.
- If the light is flashing, refer to the label located on the back of the magazine for a description of diagnostic codes.

7. Check operation

- Insert a \$1 bill and observe that it is accepted and stacked.
- Repeat for other enabled bills.

8. Remove bills and check status

- Instructions for bill removal are on label at the back of magazine.
- Once the magazine is installed, verify that the LED status indicator remains steady ON.

COUPON CONFIGURATION (ALL SWITCHES OFF)

1. Carefully cut the coupon around the edges. Copies are usable if made on a standard, carbon based, non-color copier, AND have the same dimensions as a \$1 bill (66 mm wide by 155 mm long).

2. Fill out the coupon using a #2 or HB pencil. Fill in one block for each line. Do not mark the back of the coupon.

Section 1 - Bill Direction Enable one or two-way (face-up) or four-way acceptance (all directions).

Section 2 - Bill Denomination Fill in one block for each denomination. Select High Accept for maximum bill acceptance. Select High Security for a higher level of discrimination. Select OFF to reject bills of that denomination.

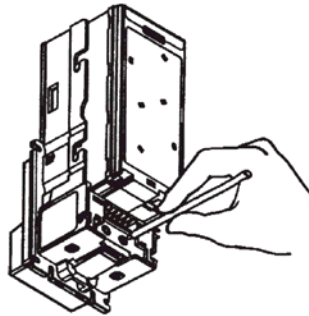
Section 3 - High Visibility Bezel Options (if applicable) - Fill in Denom to enable the denomination lights to operate. Leave blank for denomination lights to remain off. If color blending is desired, do not fill in any other box. Refer to Table 1 below for color combinations and fill in the appropriate box(es).

Boxes Filled In - RED, GREEN, BLUE	Resulting Colors on Bezel
None (no colors filled in)	Blend of all available colors
Blue only	Blue
Green only	Green
Green and Blue	Cyan
Red only	Red
Red and Blue	Magenta
Red and Green	Yellow
Red and Green and Blue	White

TABLE 1

Section 4 - Bezel Lights ON or Flashing (standard bezel)

3. Locate the service button on the back of the unit (refer to Figure 4). Depress the button once to enter coupon set-up mode. Depressing again will exit the mode.



4. Insert coupon and verify settings were accepted.

ACCEPTED: Coupon returned immediately and LED flashes 10 times when coupon is pulled out.

REJECTED: Coupon returned after ten seconds. LED flashes number of times corresponding to section improperly filled out. Example: Six flashes for improper section six. If rejected, review instructions or try new coupon.

CLEANING

The VN2700 series will not need cleaning as often as magnetic sensing Bill Acceptors. If cleaning is required, use a soft cloth moistened with mild, non-abrasive detergent. Refer to label on the back of the magazine for cleaning instructions.

CHECK LIST

If a problem occurs	Please check the following
Unit dead (won't power up).	<ol style="list-style-type: none"> 1. Harness(es) may be loose, not properly connected, or bent pins. 2. Check source voltage to ensure that power is being supplied to the bill acceptor.
Red message light flashing twice (disabled from mech / VMC) NOTE: If flashing other than twice refer to label on back of the magazine.	<ol style="list-style-type: none"> 1. Must have product in the vending machine. Check coin changer to make sure coin tubes have coins and the coin changer is working properly. Check Vending Machine Controller for proper setup.